

# 數碼收音機操作指南

## DAB+/FM Digital Radio Receiver

### User Manual





## 安全指引：

1. 不要在靠近水的地方使用這台收音機
2. 用乾布清潔
3. 不要擋住散熱口
4. 不要在靠近熱源的對象使用
5. 使用製造商提供的配件
6. 長時間不用時取出電池
7. 不要讓本機暴露於水，蒸汽，沙或其他危害的環境。
8. 過多的熱量可能會對您的收音機造成損害，如在一輛停著的汽車裡來自太陽的熱量可以很容易地對您的收音機造成損害。

## 產品規格：

型號：DTR- 763

收音機：DAB + / FM 數碼收音機

尺寸 p：90x53x17mm

重量(淨重)：約 70 克(包括電池)

DAB +頻率：Band 3 (174.0 - 239.0MHz)

FM 頻率：87.5 - 108MHz (RDS)

耳機：32  $\Omega$

輸出功率：0.1W(耳機)

電源：迷你 USB (5V, 0.5A) 直流充電器

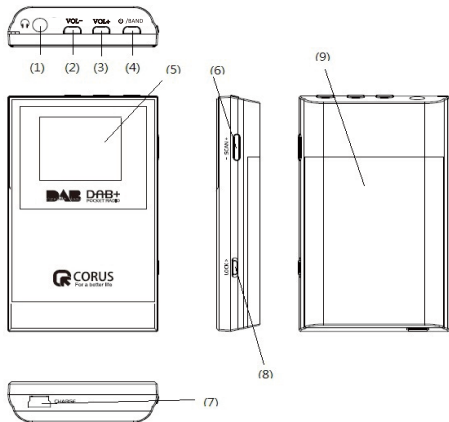
充電時間：約 4 小時

使用時間：約 8 小時

認證：CE 標誌，RoHS 標誌，兼容 EMC

和低電壓指令(2004/108/EC 和

2006/95/EC)，ETSI EN300401



## 控制鍵：

- |               |                  |
|---------------|------------------|
| (1) 耳機孔       | (5) 顯示屏          |
| (2) 音量減少      | (6) 掃描滑輪鍵        |
| (3) 音量增加      | (7) Mini USB 充電槽 |
| (4) 電壓開關      | (8) 鎖鍵           |
| /DAB+/FM 波段轉換 | (9) 電池蓋          |

## 充電：

DTR- 763 配備了一顆 3.7V，1000mAh 的鋰電池。

DTR- 763 配備了一條 “USB - 迷你 USB” 充電線。

在第一次操作前，請完全充電。

1. 打開電池蓋，插入鋰電池。
2. 把迷你 USB 插頭插入收音機底部的插座，把 USB 連接到電源如電腦或火牛。
3. 收音機將開始充電，充電時間約為 4 小時。
4. 充電其間，電量圖標會不停閃爍直至收音機完全充電。


## 耳機：

DTR- 763 配備了一對高品質的耳筒。  
3.5mm 的插孔位於收音機的頂部，可  
使用立體聲耳機或耳筒。


## 重要事項：

音量太大可能會損壞你的耳朵。

## 操作收音機：

1. 確保電池已充電。
2. 按住“ /BAND”按鈕以開啓收音機。
3. 顯示屏將顯示“CORUS”開機畫面，並輸入 DAB 模式(或 FM 模式，如果關機前使用 FM)。
4. 調節音量到舒適的水平(音量水平:0-32)。

## **選擇 DAB+ 或 FM 波段：**

1. 按一下 “ /BAND” 按鈕以選擇 DAB+或 FM 波段模式，您會看到圖標 DAB 或 FM 在顯示屏的頂部顯示。
2. 當您關閉收音機時，有關模式將被記憶。

## **搜索及選擇頻道 - DAB +：**

1. 確保收音機是在 DAB+模式。
2. 按住“SCAN”滾輪按鈕，收音機會自動掃描並記憶所有頻道。(按一下“SCAN”滾輪按鈕以取消掃描)
3. 上下滾動“SCAN”滾輪按鈕以從選單中選擇頻道。
4. 所有成功掃描的頻道將被記憶，直到執行另一次頻道掃描。



## 服務信息內容 - DAB + :

當收聽 DAB +時，顯示屏將顯示以下信息，(如果適用)

1. 節目名稱
2. 節目內容
3. 時間
4. 頻率
5. 音量
6. 信號強度

## 搜索及選擇頻道 – FM(記憶模式)

1. 確保收音機是在 FM 模式。
2. 按住“SCAN”滾輪按鈕，收音機會自動掃描所有頻道。(按一下“SCAN”滾輪按鈕以取消掃描)
3. 所有頻道將被記憶。
4. 上下滾動“SCAN”滾輪按鈕從選單中以選擇頻道。
5. 按住“SCAN”滾輪按鈕以退出記憶模式。

## 手動選台 - FM：(手動模式)

1. 確保收音機是在 FM 模式。
2. 向上滾動“SCAN”滾輪按鈕調高頻率，向下滾動“SCAN”滾輪按鈕調低頻率。
3. 向上滾動“SCAN”滾輪按鈕並維持 2 秒掃描以下一個在較高頻率的頻道，向下滾動“SCAN”滾輪按鈕並維持 2 秒以掃描以下一個在較低頻率的頻道。

## 服務信息內容 - FM：

當收聽 **FM** 時，顯示屏將顯示以下信息  
(如果適用)

1. 節目類型
2. 節目名稱
3. 節目內容
4. 頻率
5. 音量
6. 信號強度

## 收音機天線：

1. 使用收耳機或耳筒作為天線。

## 睡眠模式：

1. 按一下“SCAN”滾輪鍵進入睡眠模式，你會看到紅色的'60mins'閃爍
2. 上下滾動“SCAN”可選擇 5 分鐘到 90 分鐘後的自動關機時間。
3. 按多一下“SCAN”滾輪按鈕確認，您將看到所選的時間(紅字)在顯示屏的頂部顯示。
4. 按一下“SCAN”滾輪按鈕以取消睡眠模式。

## 鎖鍵功能

1. 鎖鍵開關位於收音機的右側面板。當按鍵鎖定開關設定為“LOCK>”，音量控制“VOL+”及“VOL-”和“⏻ /BAND”按鈕將無效。

顯示屏的頂部將顯示一個鎖的圖標。

2. 要關閉鎖鍵功能，設定鎖鍵開關按鈕至關閉的位置。

### 選擇語言：

1. 設定鎖鍵按鈕為“LOCK>”。
2. 按住“SCAN”滾輪按鈕 5 秒。
3. 上下滾動“SCAN”滾輪按鈕以選擇所需語言。
4. 按一下“SCAN”滾輪按鈕以退出語言選擇。

## **關機和維護：**

1. 不使用本機時請關閉電源。
2. 請不要用粗糙的東西抹擦。
3. 如長時間不使用本機，請拆出電池。
4. 請不要試圖打開產品或改變產品的內部參數。

\*本說明書內容如有任何改動，恕不另行通知。





## **Safety Instructions:**

1. Do not use this radio near water.
2. Clean with dry cloth.
3. Do not block any ventilation openings.
4. Do not use near heat objects.
5. Use accessories provided by manufacturer.
6. Unload the battery when unused for long time.
7. Do not allow this unit to be exposed to water, steam, sand or other environmental hazards.
8. Do not leave your radio where excessive heat could cause damage

such as expose to direct sunlight in a parked car where the heat from the sun can easily build up to extreme levels and damage the unit

**Specification:**

Model: DTR-763

Radio: Digital DAB+ & FM Radio

Dimension: 90x53x17mm

Weight(Net): Approx. 70g (Including battery)

DAB+ Frequency: Band III  
(174.0-239.0MHz)

FM Frequency: 87.5-108MHz with RDS

Headphones: 32 ohm, in-ear style

Output Power: 0.1W (headphone)

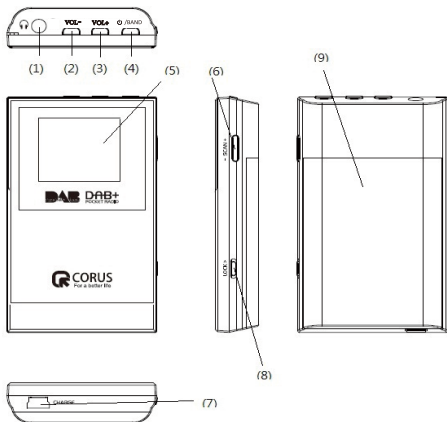
Power Source: Mini USB charge socket  
with DC Adaptors (5V, 0.5A)

Charging Time: Approx. 4 Hours

Usage Time: Approx. 8 Hours

Approvals: CE marked. RoHS marked.

Compliant with the EMC and Low Voltage  
Directives (2004/108/EC and 2006/95/EC),  
ETSI EN300 401 compliant



## Controls

- (1) Earphone Jack
- (2) Vol - Button
- (3) Vol + Button
- (4) Power / Band
- (5) LCD Display

- (6) Scroll Wheel Button
- (7) Mini USB Charge socket
- (8) Key Lock Button
- (9) Battery Cover

## **Charging the radio:**

The DTR-763 features a 3.7V, 1000mAh rechargeable Lithium battery.

The DTR-763 is supplied with one 'USB to mini-USB' cable for power charging. Before first time to operate, please fully charge the battery.

1. Open battery cover and insert the Lithium rechargeable battery.
2. Plug the mini USB into the socket at the bottom of the radio, connect the other end USB to power supply such as USB port of computer or USB power adaptors.
3. The radio will begin charging the battery. It will take approximately 4 hours to fully charge the battery.

4. The charging icon will flash during charging and stop charging when the radio is fully charged.


### **Headphones:**

The DTR-763 features a pair of high-quality earpieces which also act as radio antenna. The 3.5mm jack is located on the top of the radio, it is provided for use with stereo headphones or earpieces.


### **Important:**

Excessive volume from earpieces or headphone may cause damage to your ears.

## **Operating your radio:**

1. Make sure the battery is charged.
2. Press and hold the “  /BAND ” button to turn on the radio.
3. The display will show ‘CORUS’ logo and enter DAB mode (or FM mode if you selected FM before turning off), “DAB” logo will be shown on the middle top of the display in DAB mode whereas “FM” logo will be shown in FM mode.
4. Adjust the volume to comfortable level (Volume Level: 0-32).

## **DAB+/FM Band Select:**

1. Press “  /BAND ” button to select DAB+ or FM mode, you will see the icon “DAB” or “FM” on middle top of the display.
2. When you turn off the radio, band mode will be memorized.

## **Search and select channels: DAB+ mode**

1. Make sure the radio is in DAB+ mode.
2. Press and hold “SCAN” Scroll Wheel button, the radio will scan and memorize all the channels automatically. (Cancel auto-scan by pressing the Scroll Wheel button)



3. Select channel by scrolling up and down the “SCAN” Scrolling Wheel button.
4. All the channels being scanned will be memorized until another scan is performed.

### **Service Information: DAB+ mode**

The Service Information display - Technical information on the current status of the station being broadcasted. While listening to DAB+, the display will show the followings if applicable

1. Program type
2. Multiplex Name
3. Time

4. Channel Name
5. Frequency
6. Volume level
7. Signal Strength

### **Search and select channels : FM mode(auto-memorized)**

1. Make sure the radio is in FM mode.
2. Press and hold "SCAN" Scroll Wheel button, the radio will scan all the channels automatically. (Cancel auto-scan by pressing once the "SCAN" Scroll Wheel button)
3. All the channels will be memorized.
4. Select channel by scrolling up and down the "SCAN" Scrolling Wheel button.

5. Press and hold “SCAN” Scroll Wheel button to exit.

### **Manual tuning: FM mode**

1. Make sure the radio is in FM mode.
2. Scroll up the “SCAN” Scrolling Wheel button to higher frequency, vice versa.
3. Scroll up and hold the “SCAN” Scrolling Wheel button to scan the next channel at higher frequency, vice versa.

## **Service Information: FM mode**

While listening to FM radio, the display will show the followings if applicable

1. Program type
2. Frequency
3. Channel Name
4. Volume level
5. Signal Strength

## **Radio Antenna:**


1. Use headphone or earpieces as antenna.

## **Sleep mode:**

1. Press "SCAN" Scroll Wheel button to enter sleep mode, you will see '60 min.' flashing in red color.
2. Scroll up and down to select the

- duration from 5 min. to 90 min.
3. Press “SCAN” Scroll Wheel button again to confirm, you will see the selected duration in red color on the top of the display.
  4. Press “SCAN” Scroll Wheel button to cancel the sleep mode.

### **Key Lock Function:**

1. Key lock switch is located at the right-hand side of the radio. When the key lock switch is set to “LOCK>” position, “VOL +”, “VOL -” and “  /BAND ” buttons will be disabled. Display will show a “lock icon” on the top of the display.

2. To switch off the key lock function, switch the key lock button to off position. The key lock function will be disabled.

### **Select Language:**

1. Set the key lock switch to “LOCK>” position.
2. Press and hold “SCAN” scroll wheel button for 5 seconds.
3. Scroll up and down to select languages.
4. Press “SCAN” scroll wheel button to exit Language menu.

## **Power Off and Maintenance:**

1. Please shut down the power when not in use.
2. Please do not wipe it with rough materials.
3. Remove the battery from the product if it is not going to be used for a long period of time.
4. Please do not attempt to open product or change inner parameter.

\*Information of this user manual is subject to change without prior notice.



CORUS is registered trademark of and used under licence from Kensen Technologies Limited